

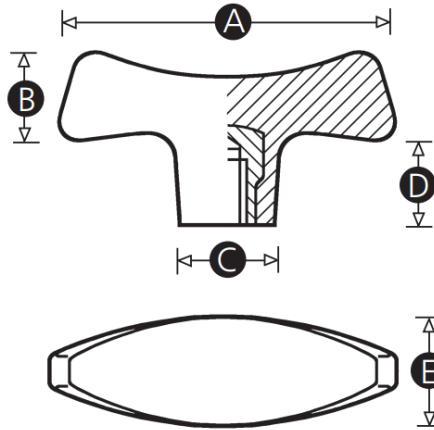
G02FPH Female Duroplast T-Handle

Features

- Duroplast T-handle offer simple design with maximum leverage and strength

Material

- Body: Duroplast, textured matt black
- Thread: Brass insert



Part No.	A	B	C	D	E	Thread Size
G02FPH-8865T	72	21	21	21	23	M8
G02FPH-4094W						M10

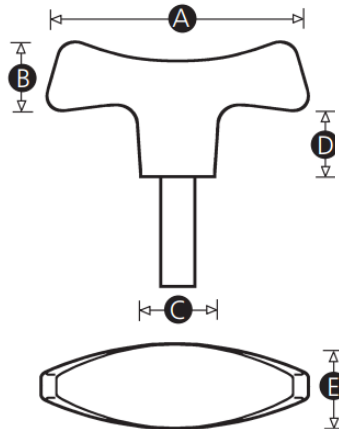
G02MPH Male Duroplast T-Handle

Features

- Duroplast T-handle offer simple design with maximum leverage and strength

Material

- Body: Duroplast, textured matt black
- Thread: Zinc plated steel.



Part No.	A	B	C	D	E	Thread Size	Thread Length
G02MPH-6568W	72	21	21	21	23	M8	25
G02MPH-11129Q						M10	35